

Angular Contact Ball Bearings

Bearing No. : **NACHI 7214CDB**

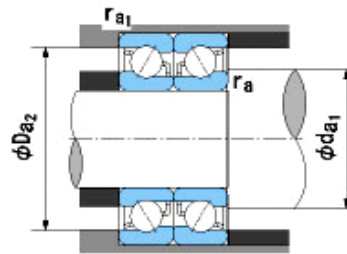
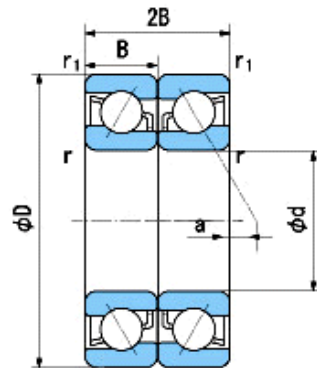
■ Bearing Type

■ Clearance

■ Tolerance Class

Dimensions

- d = 70 ⁰_{-0.015}
- D = 125 ⁰_{-0.018}
- B = 24 ⁰_{0.000}
- r = 1.5~2.3
(Radial Direction)
- r = 1.5~4
(Axial Direction)
- r1 = 1~1.9
(Radial Direction)
- r1 = 1~3
(Axial Direction)
- a = -0.7



Dimensions

- da1(min) = 79
- da2(min) = 79
- Da1(max) = 116
- Da2(max) = 119.6
- ra(max) = 1.5
- ra1(max) = 1
- Mass = 2.24 kg

Basic Dynamic Load Rating Cr :	130,000 N
Basic Static Load Rating Cor :	130,000 N
Limiting Speed ;	
Grease Lubrication :	6,600 min ⁻¹
Oil Lubrication :	8,800 min ⁻¹

	INNER RING	OUTER RING
O.D.Surface Runout with Side :		-
Axial Runout with Bore :	-	
Axial Runout with Raceway :	-	
Width Variation :	0.025	0.025
Radial Runout :	0.020	0.040